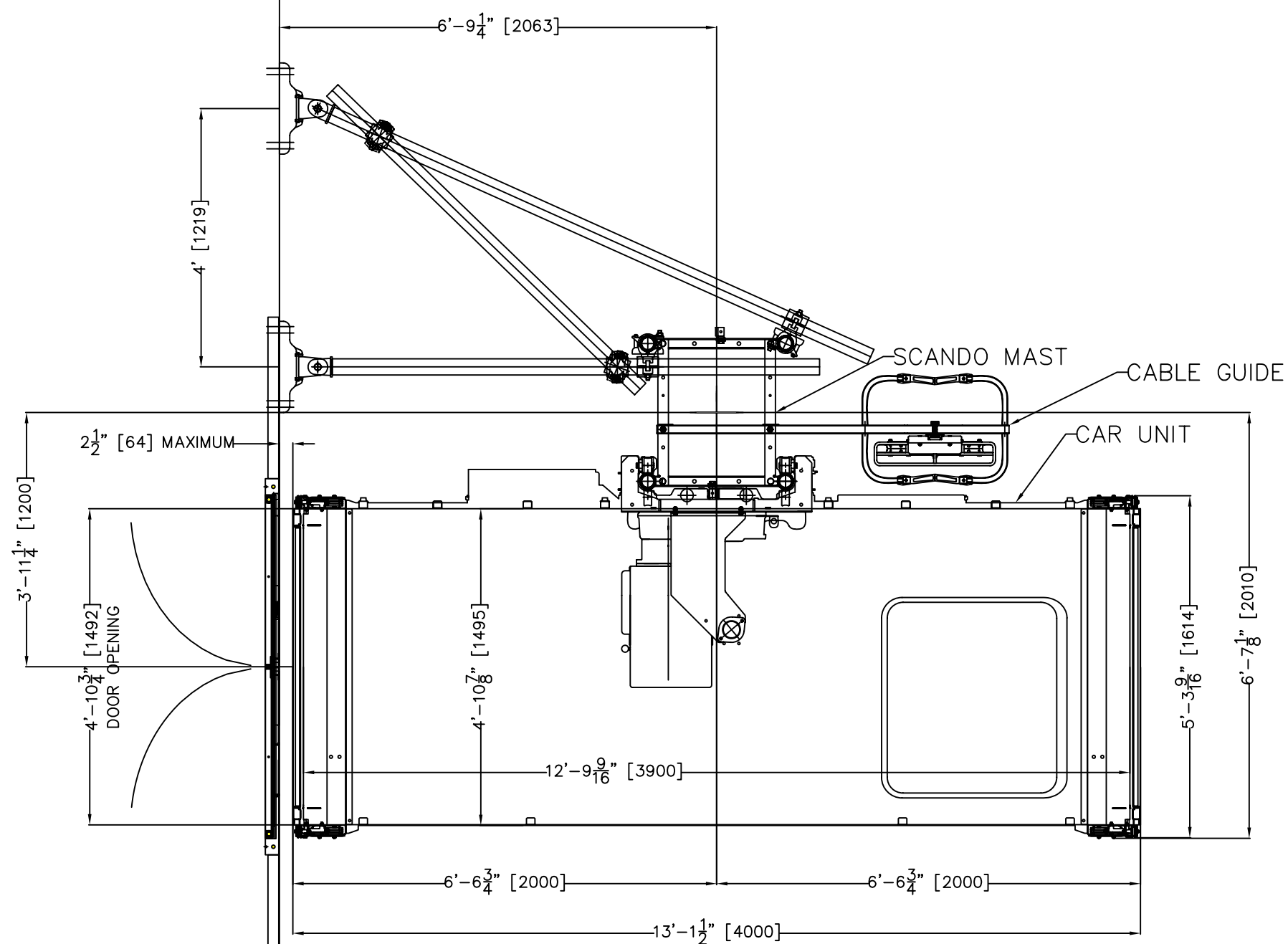
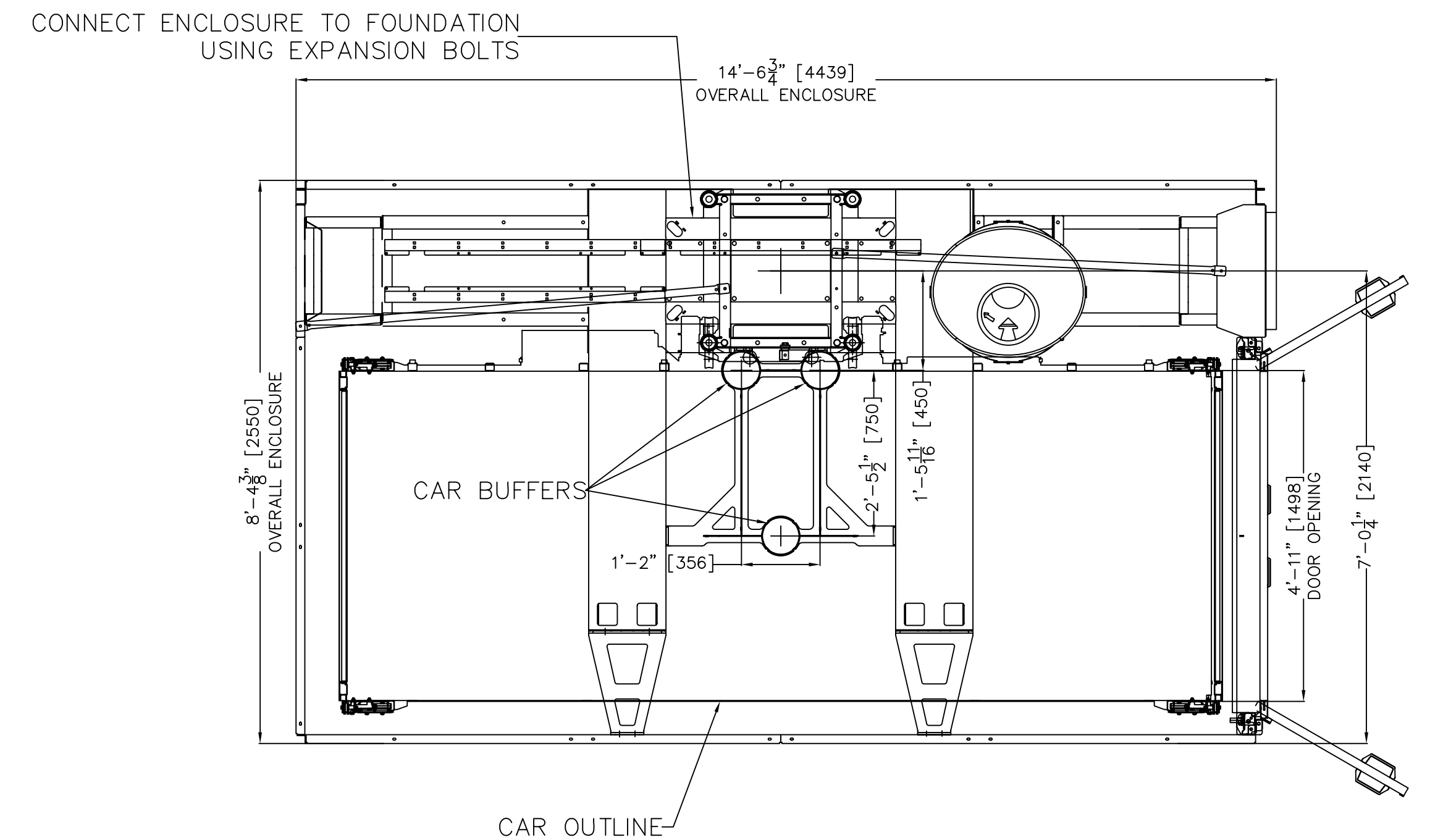


ELEVATION VIEW



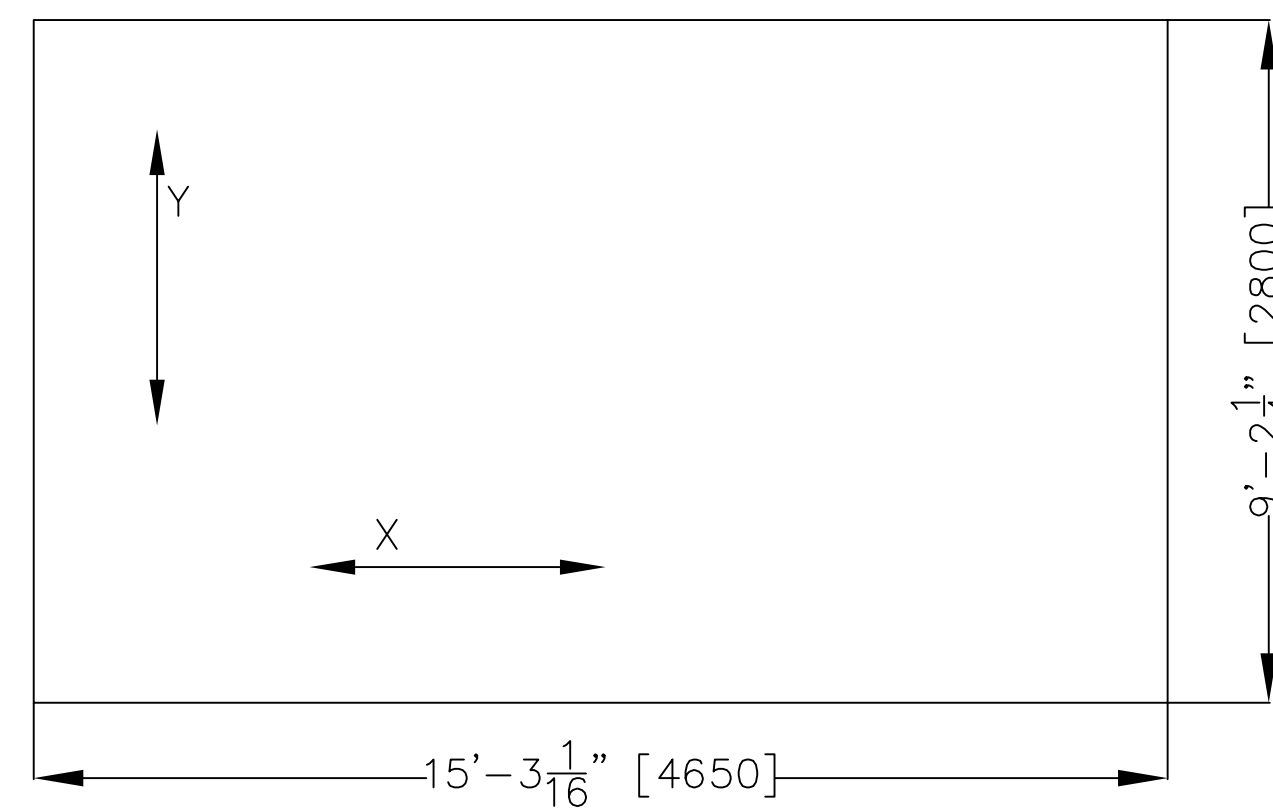
PLAN AT LANDINGS



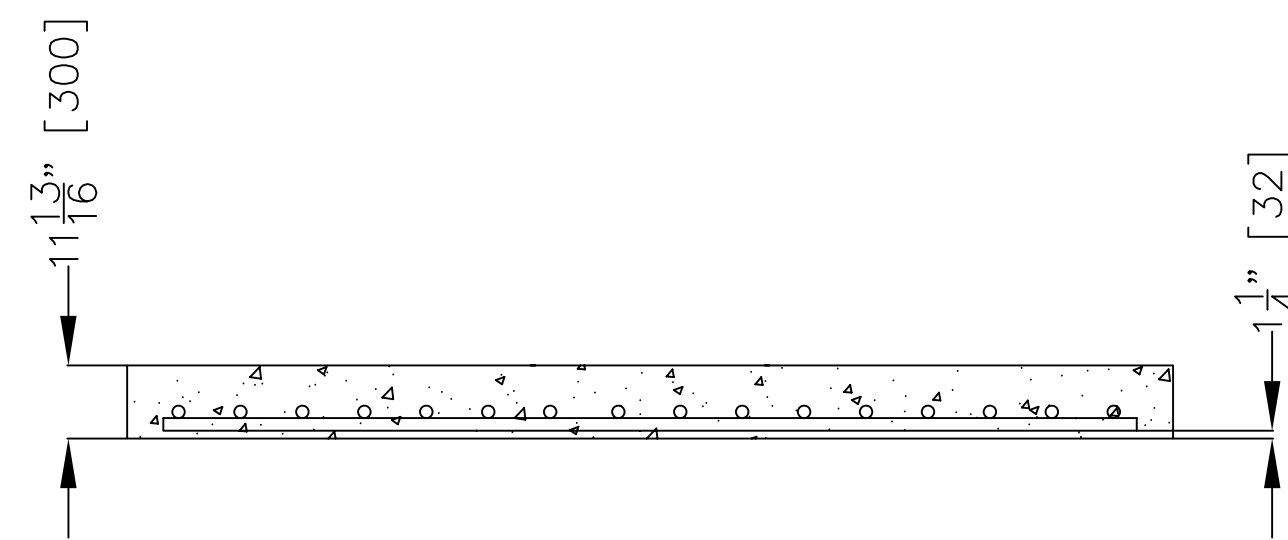
PLAN AT BASE

MINIMUM FOUNDATION REINFORCEMENT REQUIREMENTS

X - X
#5 REBAR AT 10" C/C
Y - Y
#5 REBAR AT 7" C/C
3625 PSI CONCRETE

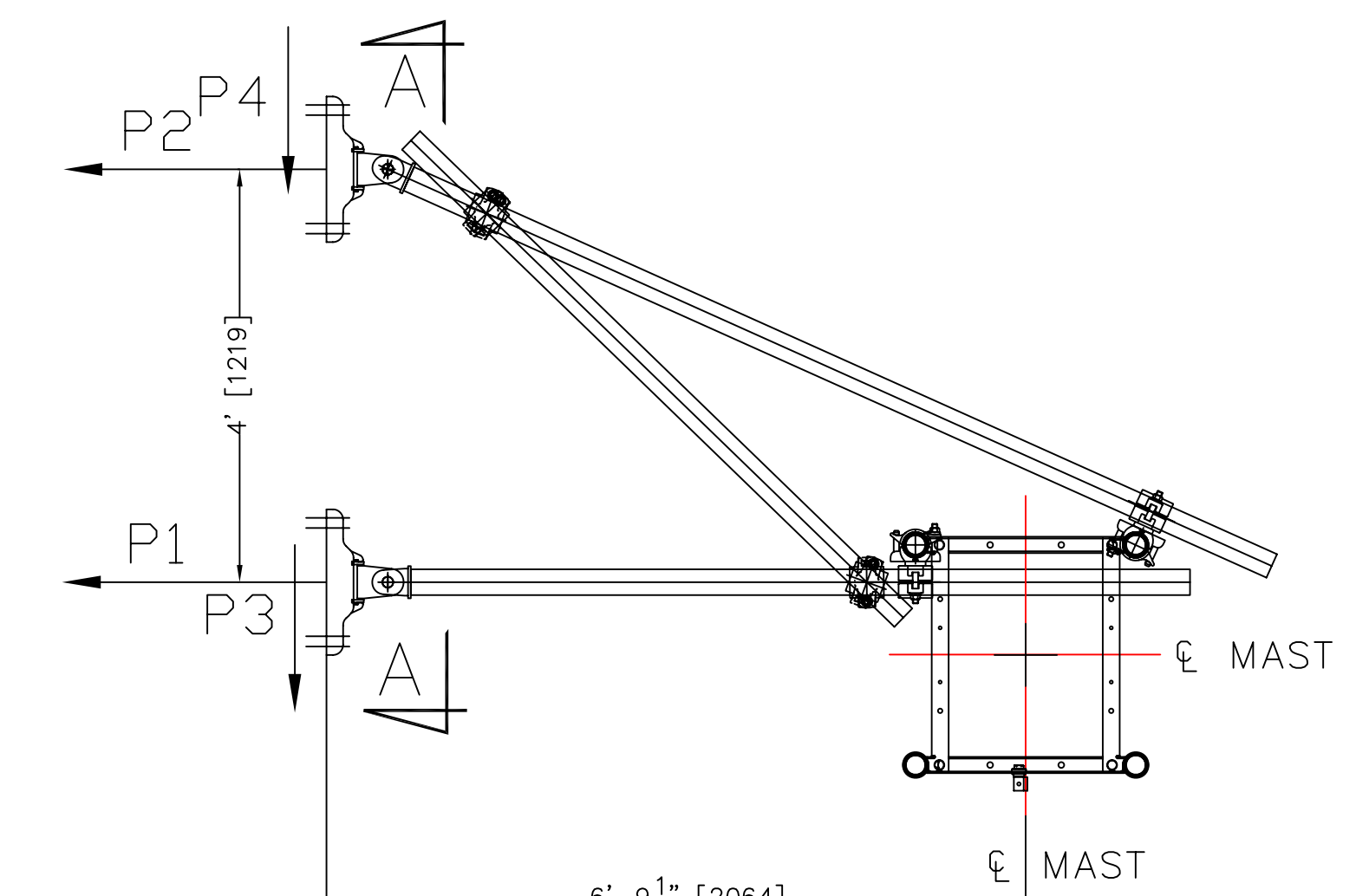


FOUNDATION PLAN VIEW

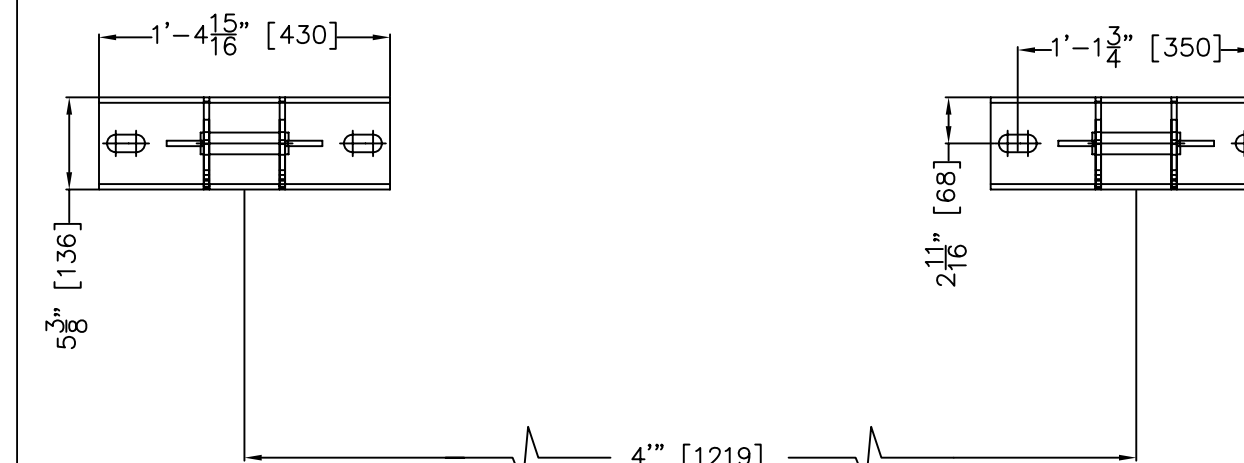


FOUNDATION SIDE VIEW

NOTE: VALID FOR MAST HEIGHTS UP TO 500'



TYPE S1A TIE DETAIL



SECTION A-A

P1 = (SEE MANUAL)
P2 = (SEE MANUAL)
P3 = (SEE MANUAL)
P4 = (SEE MANUAL)
LOAD ON BASE INCLUDING 100% IMPACT
P5 = (SEE MANUAL)
CAR BUFFER REACTION
P6 = (SEE MANUAL)

MACHINE TECHNICAL DATA SPECS

MACHINE TYPE	ALIMAK SCANDO 650 C52/39
CONFIGURATION	SINGLE
LENGTH	12'-9 9/16"
MAST HEIGHT	VARIABLE
CAPACITY	7100 LBS / CAR
RATED SPEED	175 FT/MIN
MOTORPACK TYPE	VFC
NUMBER OF MOTORS	3 x 11kW
POWER SUPPLY REQUIREMENTS (PER CAR)	
VOLTAGE	480V, 3 PHASE
BREAKER SIZE	100A
FREQUENCY	60 HZ
STARTING CURRENT	91A
POWER CONSUMPTION	66 kVA

COMPONENT WEIGHTS

BASE ENCLOSURE (W/ COMPLETE CAR)	7605 LBS
CAR WITH DOORS	3329 LBS
MOTORPACK (VFC)	1965 LBS
MAST SECTION (SINGLE)	254 LBS

PROJECT NOTES

- IMPORTANT
- TIE IN LOADS SHOWN WERE CALCULATED BASED ON WIND CODE ASCE 7-02, EXPOSURE C, MAXIMUM IN SERVICE WIND SPEED OF 40 MPH AND MAXIMUM OUT OF SERVICE WIND SPEED OF 100 MPH. TIE IN LOADS SHOWN WERE CALCULATED BASED ON ASCE 7-95 ZONE 0 SEISMIC ACTIVITY.
 - CONCRETE EXPANSION ANCHORS THAT FAIL TO MEET THE REQUIREMENTS OF EITHER MINIMUM EMBEDMENT OR SET TENSILING SHALL BE REMOVED AND NEW ANCHORS INSTALLED HAVING A DEEPER EMBEDMENT OR LARGER DIAMETER WHERE POSSIBLE.
 - ABANDONED EXPANSION BOLT HOLES ARE TO BE FILLED WITH 5000 PSI NON-SHRINK GROUT.
 - ALL MAST BOLTS AND HARDWARE SCREWS TO HAVE LOCKWASHERS.
 - ERECTOR NOTE - ON SITE CONDITIONS SHALL GOVERN VARIATIONS TO BE REPORTED TO ALIMAK HEK PRIOR TO CONTINUATION OF WORK.
 - ERECTOR TO MAKE USE OF PLUMB BOBS, DROP LINES, LASERS, SPIRIT LEVELS AND SIMILAR TOOLS TO INSURE DIMENSIONAL ACCURACY.
 - MODIFICATIONS OF FURNISHED MAST TIE INS NOT ALLOWED WITHOUT PRIOR APPROVAL OF ALIMAK HEK.
 - ADEQUATE FOUNDATION TO SUPPORT FOOTPRINT AS SHOWN IN PLAN AT BOTTOM LANDING. SEE DATA ON THIS DRAWING FOR FOUNDATION FORCES.
 - ADEQUATE SUPPORT FOR GUIDEMAST FASTENING PER TIE IN SCHEDULE. SEE DATA ON DRAWING FOR GUIDEMAST FORCES.
 - ENGINEER OF RECORD TO VERIFY STRUCTURE CAN TAKE TIE-IN FORCES.



ALIMAK HEK INC.
CONSTRUCTION DIVISION
3745 CHEROKEE ST. - SUITE 605 - KENNESAW, GA 30144
TELEPHONE (770) 424-3232 TELEFAX (770) 424-4647

REV	REVISION REMARKS	DATE
A	FIRST DRAWING	10/7/05
-	-	-
-	-	-

ALIMAK SCANDO 650 SINGLE C52/39

JOB NAME
GENERAL LAYOUT

JOB LOCATION
CUSTOMER NAME

DRAWN BY	DATE	SCALE	REV
GEJ	10/7/05	NONE	A
CHECKED BY	PAGE	DWG NO.	
GEJ	1 OF 1	20050519	

ALIMAK SCANDO 650 FC-S

High speed construction hoist range
for passengers and materials



Intelligent Control

The new microprocessor based Alimak Lift Control system ALC-II reduces waiting times substantially and solve your site logistic problems.



Improved Comfort

The new FC Frequency Control gives very smooth starting and stopping with low starting current and less wear and tear.



Flexible Modular Design

The hoist car design is truly modular and offers several optional car lengths and a multiple choice of doors or ramps.



Economic

Decreased cost for fleet-owners and renters due to flexibility, durability and accessibility. Low cost of ownership.

ALIMAK SCANDO 650 FC-S

The new high speed construction hoist range for passengers and materials

With the introduction of the fully modular ALIMAK SCANDO 650 construction hoist in 2004, Alimak Hek set a new industry standard for improved performance, durability and intelligent control. Paired with reduced cost of ownership. Now we make the Alimak Scando family complete by adding a high-speed version to the 650 line: The ALIMAK SCANDO 650 FC-S.

Adding speed to the 650 success

The 650 concept has been a huge success, combining a cost saving modular system with improved ergonomics.

With the introduction of ALIMAK SCANDO 650 FC-S, the customers can add high-speed to the benefits of owning an Alimak Scando 650 hoist, consequently further increase productivity and thus save time and money.

Compatible with all 650 modules

In addition, the ALIMAK SCANDO 650 FC-S has no counter weight, and can use the whole line of modules and additions available for the Alimak Scando 650 family. It can be delivered with standard modules to suit all known project demands for vertical access – from low to extreme high rise buildings.

Available in single or dual car configuration, the ALIMAK SCANDO 650 FC-S offers payloads of 2,400 to 3,200 kg/car and has a maximum lifting height of 250 m as standard. Three Frequency Control (FC) motors drive the system through a high efficiency gearbox.

The 650 FC-S operates at speeds up to 100 m/minute.

Speed and reliability are increasingly important features in large and complex building projects. Now true high-speed is a part of the 650 family.

The new high speed construction hoist for greater productivity



The Alimak Hek Group is the world's leading supplier of mast climbing equipment and added value services for both temporary and permanent installations providing the most cost efficient, reliable, and flexible vertical access solutions for people and materials in the construction and general industry. The Alimak Hek Group is owned by Triton, an independent European private equity investor, focusing on investing in companies with leading market positions in attractive industry niches. Triton has offices in Sweden, Germany and the UK.

1301 Eng./May -07

Main characteristics

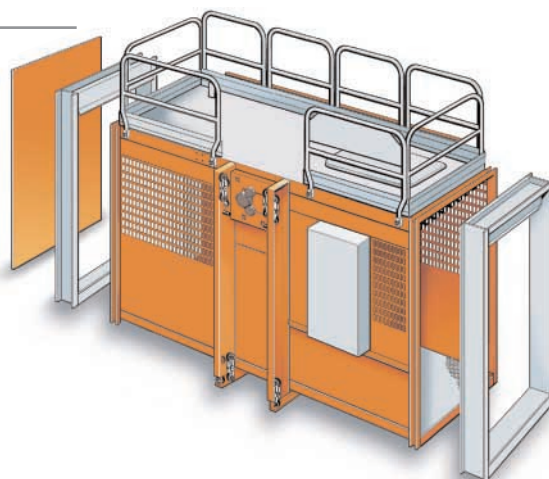
- Attractive design and excellent comfort.
- Single and dual car configurations.
- Hoist car of modular design with extensions and different door and ramp units as option.
- ALC-II collective control system with group control and internal fault diagnostics system.
- Electric cabinet of stainless steel inside the car, integrated in the wall.
- Dual entrance at base landing level as option.
- Durable materials: high quality steel for increased strength and weight reduction. Car walls and door cladding of perforated steel sheeting with mast sections of hot dip galvanised steel. All electric cabinets and landing control boxes of stainless steel.
- Wide range of optional equipment and functions.



TECHNICAL SPECIFICATIONS

Max. payload capacity	2,400–3,200 kg
Travelling speed	0–100 m/min.
Max. lifting height¹	250 m
Car width, internal	1.5 m
Car length, internal	3.2–3.9 and 3.9–4.6 m
Car height, internal	2.3 m
Motor control	Frequency Control (FC)
No. of motors	3
Safety device type	GFD-II
Power supply range	400–500 V, 50 or 60 Hz, 3 phase
Fuse ratings	200 A
Type of mast	A-50, Tubular steel with integrated rack
Length mast section	1.508 m
Weight mast section with 1 rack	118 kg
Rack module	5

¹ Increased lifting height on request.



2299 Performance Way
Columbus, Ohio 43207

Phone: (614) 278-2120
Web: www.ccgroupp-inc.com

www.alimakhek.com

Alimak AB is ISO 9001 Certified

